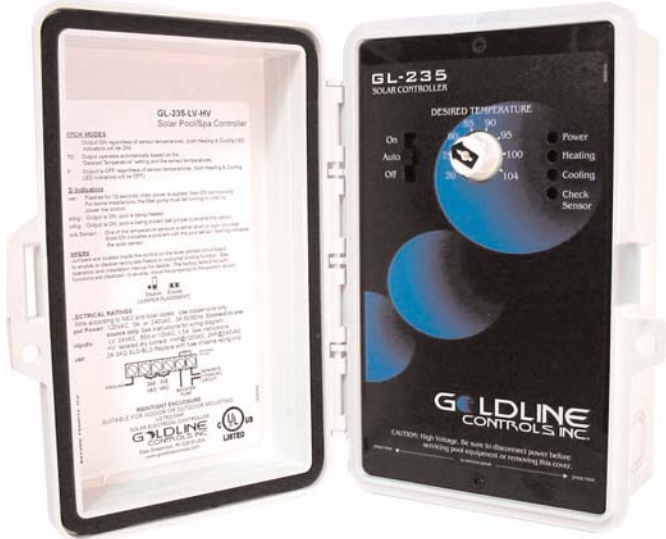


GL-235

Solar Pool Heating Control



Unique 5 Year Warranty*

*Refer to Limited Warranty Statement for Details.

AMERICA'S #1 BEST SELLING SOLAR CONTROLLER

- Automatically Maximizes Solar System Heat Collection
- Precise Calibrated Temperature Setting Dial
- Single Model Handles all Systems-Old or New Pools, Spas, 12 or 24VAC Actuators.
- Automatic Switch Over from Solar Heating to Nocturnal Cooling if Desired
 - Standard 120/240 VAC 50/60 Hz. Input & 12 and 24 VAC Output
- Goldline's Proven Reliability and Performance
 - Industry's Only 5-year Limited Warranty*
 - Goldline Combo (GLC) is GL-235 LV or GL-235 LV-HV Control, Diverter Valve, Actuator & Sensors

Description

The GL-235 is designed to meet the need for easy installation, dependable operation, and serviceability. The GL-235 incorporates unique, microprocessor based construction to ensure reliability and accurate performance. The GL-235 offers advanced operating features to provide differential temperature control, selectable high limit, programmable recirculation freeze protection, nocturnal cooling and optional booster pump control.

AUTOMATIC HEATING: If the collectors are warmer than the pool water by 4° or more, and the pool is below the selected desired temperature, the valve will rotate allowing heat collection. This heat collection will stop when the solar sensor falls to within 1.5°F of the pool temperature or the pool temperature exceeds the "desired temperature" set on dial.

AUTOMATIC COOLING: (Field selectable option) If the collectors are cooler than the pool water by 6°F or more, and the pool is above the selected desired temperature, the valve will rotate allowing cooling via the solar collectors. The heat dissipation will stop when the collectors rise within 3°F of the pool temperature or the pool temperature is lowered below the set desired temperature.

SINGLE SETTING FOR DESIRED TEMPERATURE: The GL-235 logic is set by a single dial adjustment with the desired pool/spa temperatures clearly indicated. The dial is calibrated with the temperatures from 70°F to a high of 104°F for quick and easy, user-friendly operation. The temperature set indicates set pool/spa temperature, and the GL-235 will automatically determine if the water should be solar heated or cooled, thus maximizing the system capabilities.

TERMINAL STRIP CONNECTIONS: For input power, and sensor inputs. Controls also have industry standard 3 pin connectors for both forward and reverse valve actuator operation and screw terminal connectors.

LED INDICATORS: Show the status of the system operation, Four highly visible LED's show 1) power to the control, 2) power output directing valves and/or pump to collect heat (heating), 3) power output directing valves and/or pump to dissipate heat (cooling), 4) sensor fault indicator shows sensor(s) not operating properly.

GL-235 VALVE OUTPUT: Rating is the industry standard 24 VAC. A jumper switches the output to 12VAC for compatibility with older valve actuators. Output is fuse protected.

RECIRCULATION FREEZE PROTECTION: (field selectable operation) turns the GL-235 output ON, directing warmer pool/spa water through the collectors when near freezing temperatures are reached at the collector sensor. The GL-235 will allow recirculation when the collector temperature rises to 42°F. Two 10K Ohm sensors are required for operation. One or more freeze snap switches are recommended if freeze recirculation protection is utilized. *Important--see installation instructions before using Recirculation Freeze.*

SYSTEM TEST SWITCH: Allows the user to manually override the automatic function of the GL-235 and verify operation.

GOLDLINE
CONTROLS INC.

Corporate Office:
42 Ladd Street
East Greenwich, RI 02818
(401) 884-6990
(401) 885-1500 Fax

Western Regional Office:
7171 Alvarado Road, Suite 104
La Mesa, CA 91942
(619) 462-4298
(619) 462-4498 Fax

GL-235

Solar Pool Heating Control

Model GL-235-LV-HV

The model GL-235-LV-HV has two outputs: 1) Selectable low voltage output for 12/24 VAC valve actuator. Wire via 3 pin connectors or terminal block (compatible with older actuators). 2) Isolated contact, high voltage output for 120/240 VAC booster pump or time clock override. Order sensors and freeze snap switches separately.

Model GL-235-LV

The GL-235-LV is similar to the GL-235-LV-HV, but has a low voltage output only.

Temperature Sensors

All Goldline temperature sensors are 10K Thermistors which are accurate to +/- 1/2°F. The sensors are double-dip potted in silicone for maximum protection from moisture.

PC: Multi-purpose sensor that can be used for both Solar (surface mount) or Pool/Water (drill-in plastic piping).

SC-1/4: Brass screw-in sensor with 1/4" NPT pipe thread. Screws directly into drain plug on the pump strainer basket.

Freeze Snap Switches

Goldline recommends the use of one or more freeze snap switches to be wired in series with the solar sensor if the recirculate freeze protection feature is being used. Both snap switch models operate identically, however, the GC-1 is designed to meet the highest aerospace & military specifications.

GC-1: Opens at 44° +/- 4°F, closes at 54° +/- 5°F (premium)

GC-2: Opens at 44° +/- 4°F, closes at 54° +/- 5°F (standard)

5 Year Limited Warranty*

Goldline Controls offers a 5 year limited warranty on all solar controls and accessories. This warranty covers the repair or replacement of the control at no cost for the first 36 months. For years 4 and 5, Goldline will charge a fee of up to 60% of the current list plus shipping charges for repair or replacement.

*SEE WARRANTY STATEMENT FOR COMPLETE DETAILS.

Service You Can Count On

Visit www.goldlinecontrols.com, or call (800) 343-0826 to speak with a qualified technical support representative. Our technicians can assist you in selecting the correct controls and sensors for your system and help troubleshoot any problems after installation.

Goldline Combo (GLC)

The "GLC" package contains everything required to automatically control most solar pool heating systems. The "GLC" provides the industry's #1 best selling control, valve, actuator, and sensors together in one box. The "GLC" makes inventory control easier, ensures all parts arrive at the job site, and components remain protected in factory-fresh condition. The Goldline "GLC" consists of the GL-235-LV or GL-235-LV-HV control, a 24 VAC actuator, a valve (see chart) and 2 sensors (see chart). For GLC with the GL-235-LV-HV control add HV after GLC in Model number.

MODEL	VALVE	SENSORS
GLC-1P-A	1.5"/2" positive seal valve	2 PC sensors
GLC-1P-B	1.5"/2" positive seal valve	1 PC sensor, 1 SC-1/4 sensor
GLC-2P-A	2"/2.5" positive seal valve	2 PC sensors
GLC-2P-B	2"/2.5" positive seal valve	1 PC sensor, 1 SC-1/4 sensor
GLC-2NP-A	2"/2.5" non-positive seal valve	2 PC sensors
GLC-2NP-B	2"/2.5" non-positive seal valve	1 PC sensor, 1 SC-1/4 sensor

(HV-add HV after the GLC to make combo with GL-235-LV-HV)

Specifications

Power: 105-130VAC, .5A 50/60Hz.
or
192-250VAC, .3A 50/60Hz.

Output: Low Voltage
12/24VAC, 20VA, 1.7/.85A
3 pin connectors for both
forward and reverse operation
Model GL-235-LV-HV also has
terminal block connections

GL-235-LV-HV only:

SPST-NO isolated contact
115VAC, 1 HP
240VAC, 2 HP

Sensors: 2 required-thermistor, 10K @
25°C/77°F. (snap switches
recommended if recirculate
freeze protection is used)

On differential: 4°F

Off differential: 1.5°F

High Limit: 70-104°F selectable via
calibrated scale

Recirculate freeze: on at 40°F, off at 42°F

Nocturnal cooling: On when collector 6°F less than
pool **and** pool hotter than high
limit, off when collector 3°F
less than pool **or** pool cooler
than high limit



Corporate Office:
42 Ladd Street
East Greenwich, RI 02818
(401) 884-6990
(401) 884-1500 Fax

Western Regional Office:
7171 Alvarado Road, Suite 104
La Mesa, CA 91942
(619) 462-4298
(619) 462-4498 Fax

GL-235

Solar Pool Controller



Installation & Operation Manual

for models

GL-235-LV

GL-235-LV-HV

GOLDLINE
CONTROLS INC.
North Kingstown, RI USA

www.goldlinecontrols.com
888-921-7665

Description

The GL-235-LV and GL-235-LV-HV are differential temperature controls for solar heating of pools, spas, and hot tubs. These models provide differential temperature control with an adjustable, calibrated water temperature high limit. Automatic nocturnal cooling (for pools that overheat in hot climates) and recirculate freeze protection functions can be enabled/disabled via internal jumpers.

Input power can be either 115 or 240 VAC. The output controls a 24VAC automatic valve actuator. For older systems with 12VAC valves, an internal jumper can be moved to select 12 VAC output operation. The GL-235-LV-HV has one low voltage output for controlling a single valve and a second high voltage output for controlling a filter pump or booster pump.

Specifications

Power:	105-130VAC, .5A 50/60Hz. Or 195-250VAC, .3A 50/60Hz	Differential:	on at 4°F, off at 1.5°F
Output:	Selectable low voltage 24VAC, 20VA, .85A or 12VAC, 20VA, 1.7A	Desired Pool Temp.:	70-104°F calibrated scale or Solar Off, 75-104°F on some models
GL-235-LV-HV only:	SPST-NO isolated contact 115VAC 1HP 240VAC 2HP	Recirculate freeze:	On at $\leq 40^\circ\text{F}$, off at $\geq 42^\circ\text{F}$ Enabled via jumper
Sensors:	2 required (thermistor, 10Kohm @ 25C/77°F).	Nocturnal cooling:	On when collector 8°F less than pool and pool hotter than limit, off when collector 3°F less than pool or pool cooler than high limit. Enabled via jumper

Installation

Mounting

The GL-235 is designed for outdoor use. Mount the box vertically with the knockouts facing downward. For safety, the GL-235 must be a minimum of 5 feet (horizontally) from the pool or spa.

Power input

Turn off power at circuit breaker before wiring. Remove the internal panel to expose the wiring connections. Either 115VAC or 240VAC can be used. Refer to the input wiring diagram (Figure 1) on next page. **WARNING: Applying 240VAC to the 120VAC input terminals will cause permanent damage to the control.**

Grounding

Refer to NEC and local codes for specific grounding requirements. In general, a separate ground conductor must be run to the ground terminal on the pool service panel.

Low Voltage (LV) output: Solar Valve

The GL-235-LV and GL-235-LV-HV control a single valve. In most applications this is the solar valve, which diverts water through the collector panels or through the normal pool loop depending on conditions.

All controls are shipped with the output voltage set to the industry standard 24VAC. To use the GL-235 with older 12VAC valves, move jumper J4, located on the right side of the circuit board.

The GL-235 provides two different types of connections to the pool/spa actuators. For older actuators with no wire end connector, a 3 position terminal block is used. Connect the wires to the proper terminal block according to the color code shown in Figure 4. If the valve operates opposite to the way it is supposed to, reverse the red and white wires. Be careful not to short the valve output wiring. The GL-235 is fused and shorting the output will require replacing the fuse.

For newer Goldline, Compool, Hayward, and Jandy actuators (with wire end connectors), two 3-pin connectors are supplied. Plug the actuator into one of the two 3 pin connectors as shown in figures 2 or 3. If the valve operates opposite to the way it is supposed to, disconnect and plug into the other connector.

High Voltage (HV) output: Booster Pump (*model GL-235-LV-HV only*)

The GL-235 can control a high voltage booster pump in addition to the normal low voltage solar valve. Note the high voltage relay contacts are isolated so that the booster pump can be run on a separate circuit, as required by many local codes. The GL-235 turns on, the valve output will operate first, and then the HV relay will operate 30 seconds later.

High Voltage (HV) output: Timeclock Override (*model GL-235-LV-HV only*)

The GL-235 can also be used to override the filter pump timer. This is very important if recirculate freeze protection or nocturnal cooling functions are being used. Also, this function can be used on systems where the system should operate whenever solar heat is available, regardless of the timer settings. The HV relay will operate approximately 30 seconds after the LV relay.

Sensor Mounting and Wiring

Most installations use a PC sensor to measure the pool temperature and another PC sensor to measure the solar temperature. Alternatively, an SC-¼ sensor can be screwed into the pump strainer basket to measure the pool temperature.

Pool Sensor: Drill a 3/8" (or 5/16") hole in the PVC pipe. Remove burrs around the hole. Check that the O-ring is seated on the PC sensor and then insert sensor into pipe. Tighten hose clamp over the sensor to make a seal—DO NOT OVERTIGHTEN.

Solar Sensor: Use a screw or silicon adhesive to attach the sensor near the solar collector array. The sensor does not have to be attached to the collectors. It is only important that the sensor be exposed to the same sunlight as the collectors. Additionally, the underside of the sensing element may be covered with silicon to minimize wind cooling.

Other 10K ohm Goldline sensors may be substituted. Wire should be twisted pair 20AWG. Sensor wiring run outdoors must be rated for outdoor use and ensure that the wire connections are protected from the weather. **Do NOT run sensor wires in the same conduit or multiconductor cable as the valve actuator wires or any 120/240V circuit.** For long runs or runs near other electrical wiring use shielded cable (Belden 8428 for outdoor use). Ground the shields to the GL-35/LV ground screw.

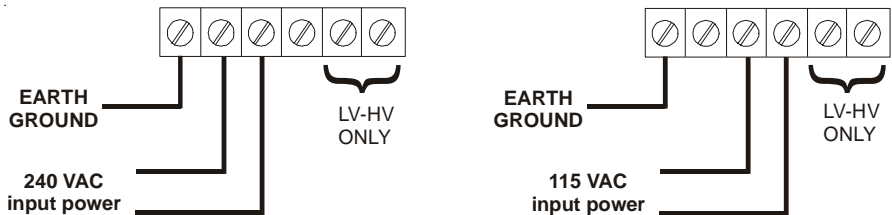


Figure 1

Freeze Protection

If you are relying on the collectors naturally draining to provide freeze protection, it is very important that you use a **non-positive seal valve or drill a hole (1/8"--1/4") in the diverter of a positive seal valve to allow the collectors to drain.** Alternatively, the GL-235 control can provide recirculate freeze protection. If enabled, when the GL-235 senses a freeze condition at the collector sensor, it will allow circulation of relatively warm water from the pool to the collector panels.

The GL-235 will allow recirculation when the collector temperature falls below 40°F and will stop circulation when the collector temperature rises above 42°F. While this type of freeze protection has proven to be adequate in relatively mild climates, it is extremely important that the sensors be properly placed and that the homeowner realize that the system is unprotected in the event of a power failure. Recirculate freeze protection is NOT recommended in climates where freezing temperatures are common or last for extended periods.

Goldline strongly recommends the use of GC-1 or GC-2 freeze snap switches if freeze protection is being utilized. Snap switches should be wired in series with the collector sensor. Placement of the snap switches at the coldest point of the collector array and exposed plumbing will help assure that freeze protection starts early enough to protect the system.

The GL-235 is shipped from the factory with recirculate freeze protection disabled (the jumper is present but installed on one pin only). To activate recirculate freeze protection, install the jumper across both pins marked "RECIRC", located near the top right of the main circuit board.

If recirculate freeze protection is to be used on a GL-235, either:

- The filter pump must be set for continuous operation
- or*
- The GL235-LV-HV High Voltage Output must be wired for Timer Override function.

Nocturnal Cooling

The GL-235 has nocturnal cooling logic, which can be enabled/disabled via a jumper on the main circuit board. During nighttime hours, when enabled, the GL-235 will circulate relatively warmer water from the pool to the collector panels, thus cooling the pool over time. The GL-235 will circulate water when the collector temperature AND the pool temperature is hotter than the high limit setting. Circulation will stop when the collector temperature is 3°F less than the pool temperature OR the pool temperature is cooler than the high limit setting. The GL-235 is shipped from the factory with nocturnal cooling disabled (the jumper is present but installed on one pin only). To activate nocturnal cooling, install the jumper provided onto the two pins marked "COOLING" located near the top right of the main circuit board.

If nocturnal cooling is to be used, either:

- The filter pump must be set for continuous operation
- or*
- The GL-235-LV-HV High Voltage Output must be wired for Timer Override function.

Operation

For normal operation place the switch in the “AUTO” position and adjust the desired pool/spa temperature setting. The “Power” LED indicator should always be on. (NOTE: During initial power up, the “POWER” indicator will blink for approximately 10 seconds while it stabilizes temperature readings). The “Heating” LED indicator will show when the system is collecting solar heat. If the nocturnal cooling function is enabled inside the GL-235, the “Cooling” LED indicator will show when the system is dissipating excess heat.

In the “AUTO” position, the GL-235 will heat the pool or spa (rotate valve to solar loop) when the collector (solar) sensor temperature is higher than the pool/spa sensor temperature by 4°F or more AND the pool/spa temperature is less than the high limit setting. The GL-235 will stop heating (return valve to pool loop) when the two sensor temperatures get to within 1.5°F OR the pool/spa sensor is above the high limit setting.

To test the system, move the switch to “MANUAL TEST” and verify that both the “Heating” and “Cooling” indicators light and that the valve(s) are in the solar loop position. Move the switch to “MANUAL OFF” and verify that all indicators except “Power” are off. The valve(s) should be in the normal recirculating loop position. If the valve(s) positions are working in reverse, follow the instructions in section marked “**Low Voltage (LV) : Solar Valve**” to correct. **WARNING: If recirculate freeze protection is being used, do NOT leave the switch in the “MANUAL OFF” position during cold weather.** Also note that the switch does NOT turn power off to the GL-235.

Troubleshooting

No Power Indicator

- Check main power circuit breakers.
- Check fuse

Fuse Replacement

The GL-235 is protected by a fuse located on the left upper side of the main circuit board. Replace the fuse with a 2A, type 3AG SLO-BLO fuse, readily available in most electrical or electronics stores.

If “Heating” is always on

Disable recirculate freeze protection if enabled. Check that the switch is in the “AUTO” position. Next verify that the control circuitry is operating properly by disconnecting the solar sensor from the terminal block. The “Heating” LED should go off and the “CHECK SENSOR” LED should begin to blink. If “Heating” remains on, there is an internal circuit failure and the GL-235LV will have to be returned for repair.

If “Heating” never comes on

Verify that the switch is in the “AUTO” position, the desired pool temperature dial is set higher (hotter) than the actual pool temperature, and the solar sensor is warmer than the pool water. Also check that the switch on the valve actuator is NOT in the “OFF” position. Disconnect the pool sensor from the terminal block and verify that the “CHECK SENSOR” LED turns on. If the “CHECK SENSOR” LED does not turn on, there is an internal failure and the GL-235 will have to be returned for repair. Reconnect the pool sensor and verify that the “Check Sensor” LED turns off. Next, disconnect the “solar” sensor from the terminal block and verify that the “CHECK SENSOR” LED begins to blink. If the “CHECK SENSOR” LED does not begin to blink, there is an internal failure and the GL-235 will have to be returned for repair.

“CHECK SENSOR” indicator on

If the “CHECK SENSOR indicator is on and NOT blinking, there may be a possible open circuit or short circuit with the pool sensor. Using a voltmeter, measure the DC voltage across the terminals of the pool sensor as indicated in figure 5. If the voltage is close to zero volts, the sensor has a short to ground. Remove the sensor from the terminal block and measure the voltage across the pool terminals again. If the voltage is still close to zero volts, there is an internal short and the unit must be returned for repair. If the voltage is close to five volts, the pool sensor itself may be at fault.

With the sensor disconnected from the unit, measure the resistance of the sensor using an ohmmeter. At room temperature (25°C/77°F) the sensor should measure approximately 10K ohms (10,000 ohms ± 1%). For other resistance measurements at different temperatures, consult the table at back of manual. If the sensor is not returning the correct value, it is defective and will need to be replaced. If the sensor is returning approximately the correct value, reconnect it to the terminals marked “POOL SENSOR”. If the “CHECK SENSOR” indicator remains on, the unit is defective and needs to be replaced.

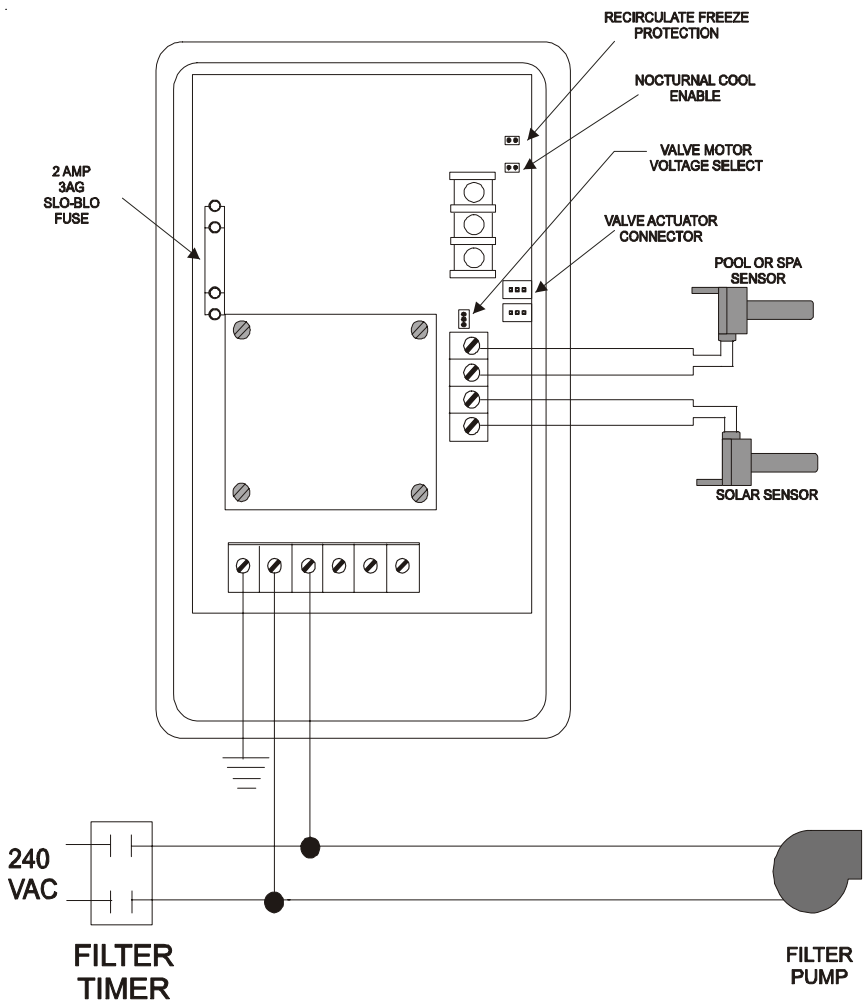
“CHECK SENSOR” indicator blinking

If the “CHECK SENSOR indicator is blinking, there may be a possible open circuit or short circuit with the solar sensor. Using a voltmeter, measure the voltage across the terminals of the solar sensor. If the voltage is close to zero volts, the sensor has a short to ground. Remove the sensor from the terminal block and measure the voltage across the solar terminals again. If the voltage is still close to zero volts, there is an internal short and the unit must be returned for repair. If the voltage is close to five volts, the solar sensor itself may be at fault.

With the sensor disconnected from the unit, measure the resistance of the sensor using an ohmmeter. At room temperature (25°C/77°F) the sensor should measure approximately 10K ohms (10,000 ohms ± 1%). For other resistance measurements at different temperatures, consult the table at back of manual. If the sensor is not returning the correct value, it is defective and will need to be replaced. If the sensor is returning approximately the correct value, reconnect it to the terminals marked “SOLAR SENSOR”. If the “CHECK SENSOR” indicator remains on, the unit is defective and needs to be replaced.

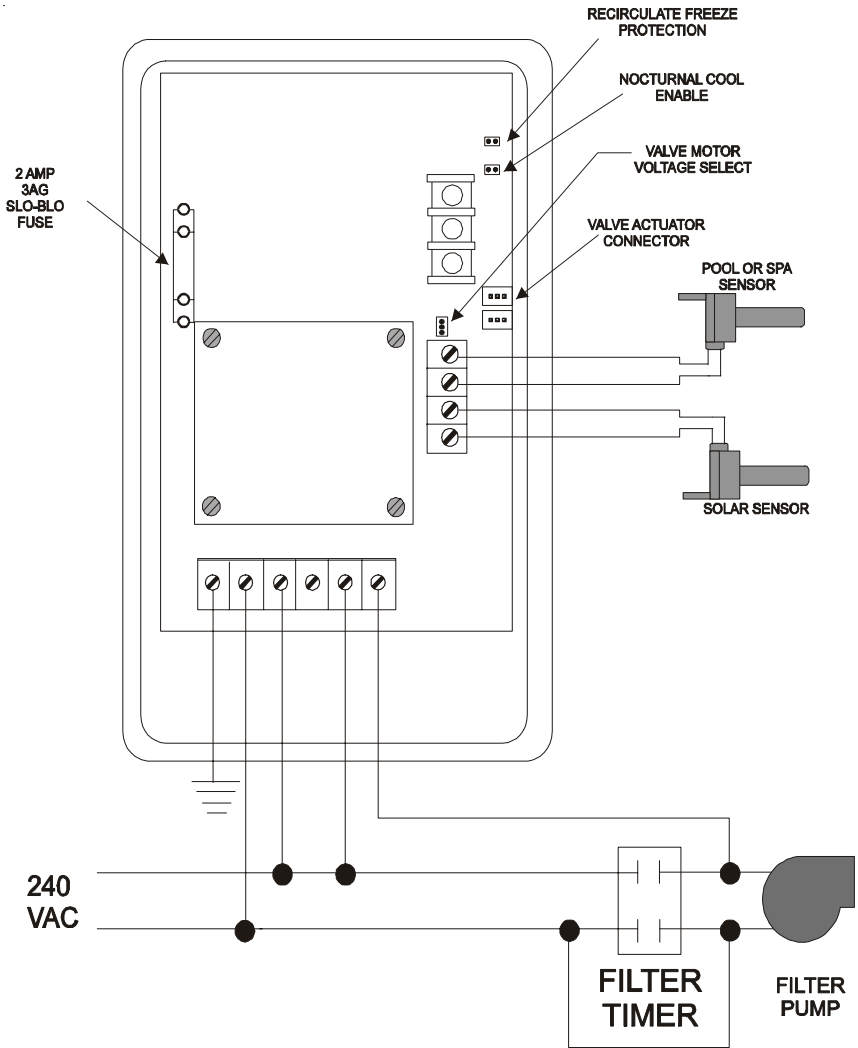
If FREEZE PROTECTION is enabled:

When a sensor is disconnected from the unit and freeze protection has been enabled, the SENSOR FAULT light will NOT activate. The GL-235 will recognize this as a freeze condition and activate freeze protection.



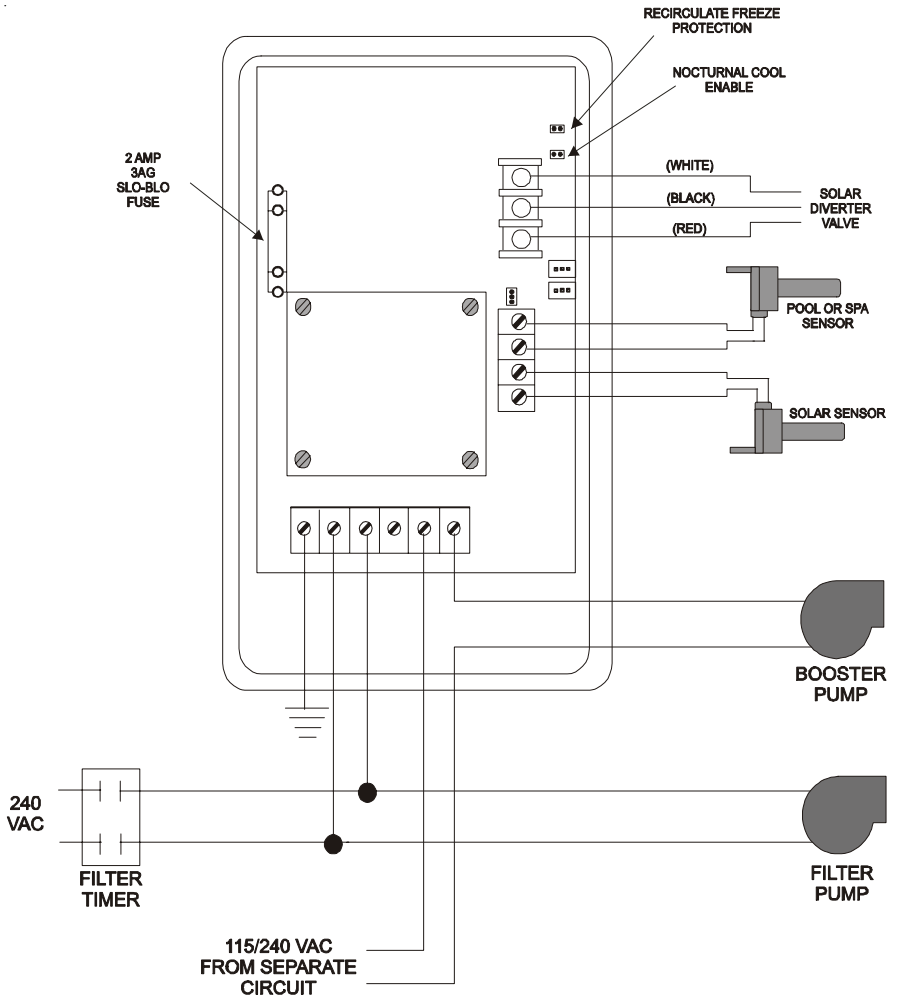
Basic Installation of GL-235-LV

Figure 2



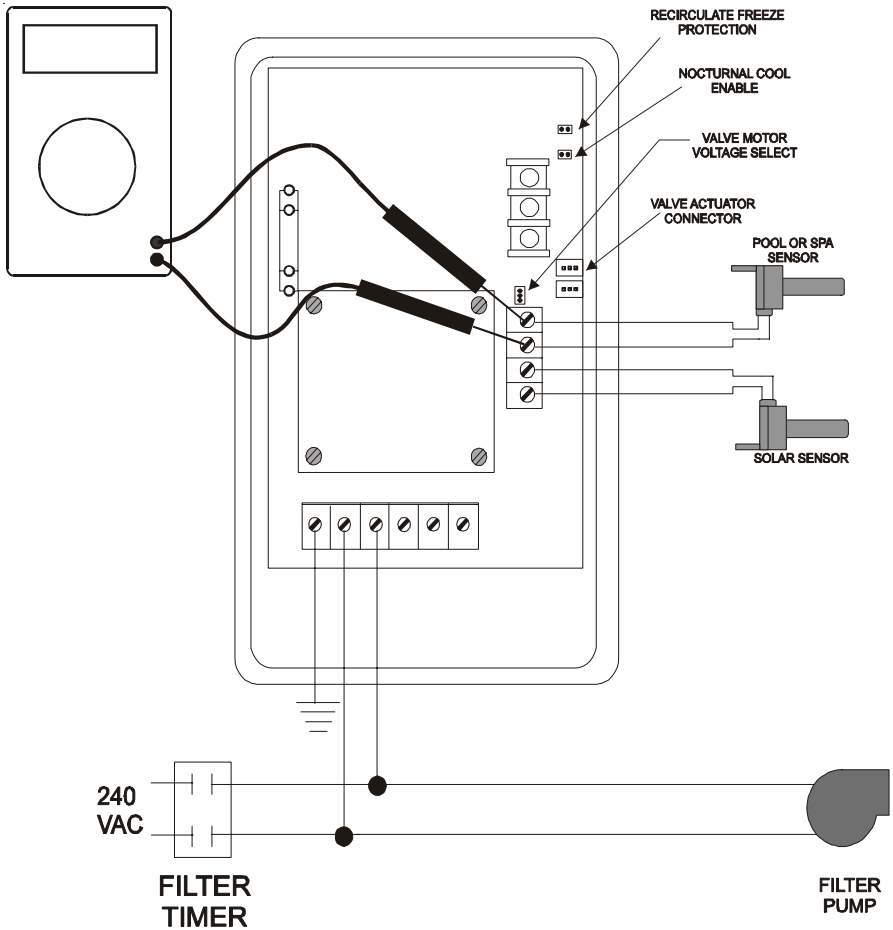
GL-235-LV-HV with High Voltage Output used for Timer Override

Figure 3



GL-235-LV-HV with High Voltage Output used for Booster Pump

Figure 4



Measuring Voltage of Pool Sensor
 (Use the same method to measure the Solar Sensor)

Figure 5

Technical Assistance

For help in installing, operating, or troubleshooting this control, you may call for technical assistance at 800-921-7665. Goldline Controls technicians are available from 8:00AM to 8:00PM Eastern Time, Monday through Friday. You may call at other times and leave a message, and a technician will call you back as soon as possible.

Temperature/Resistance/Voltage

All Goldline controls use 10K thermistor sensors. When disconnected from the control the sensor will read 10K ohms at 25°C/77°F. Refer to the chart below for the resistance at other temperatures. For a given temperature, the resistance reading should be accurate to ±1%. For a given resistance reading, the temperature reading should be accurate to ±0.5°F. Voltage measurements should be accurate to ± 2%. Ohm measurements made with sensor disconnected from unit. Voltage measurements made with sensor connected to unit and power applied. Sensor voltages are DC volts.

°F	Ohms	Volts	°F	Ohms	Volts	°F	Ohms	Volts	°F	Ohms	Volts
1	82,719	4.46	41	25,391	3.59	81	9,076	2.38	121	3,679	1.34
2	80,142	4.45	42	24,704	3.56	82	8,861	2.35	122	3,602	1.32
3	77,656	4.43	43	24,037	3.53	83	8,651	2.32	123	3,527	1.30
4	75,255	4.41	44	23,391	3.50	84	8,447	2.29	124	3,454	1.28
5	72,937	4.40	45	22,764	3.47	85	8,249	2.26	125	3,382	1.26
6	70,698	4.38	46	22,156	3.45	86	8,056	2.23	126	3,312	1.24
7	68,535	4.36	47	21,566	3.42	87	7,867	2.20	127	3,244	1.22
8	66,447	4.35	48	20,993	3.39	88	7,684	2.17	128	3,177	1.21
9	64,428	4.33	49	20,438	3.36	89	7,506	2.14	129	3,112	1.19
10	62,479	4.31	50	19,900	3.33	90	7,333	2.12	130	3,049	1.17
11	60,595	4.29	51	19,377	3.30	91	7,164	2.09	131	2,987	1.15
12	58,774	4.27	52	18,870	3.27	92	6,999	2.06	132	2,926	1.13
13	57,014	4.25	53	18,377	3.24	93	6,839	2.03	133	2,867	1.11
14	55,313	4.23	54	17,899	3.21	94	6,683	2.00	134	2,809	1.10
15	53,669	4.21	55	17,435	3.18	95	6,530	1.98	135	2,752	1.08
16	52,078	4.19	56	16,985	3.15	96	6,382	1.95	136	2,697	1.06
17	50,541	4.17	57	16,548	3.12	97	6,238	1.92	137	2,643	1.05
18	49,054	4.15	58	16,123	3.09	98	6,097	1.89	138	2,591	1.03
19	47,616	4.13	59	15,711	3.06	99	5,960	1.87	139	2,539	1.01
20	46,225	4.11	60	15,310	3.02	100	5,827	1.84	140	2,489	1.00
21	44,879	4.09	61	14,921	2.99	101	5,697	1.81	141	2,440	0.98
22	43,577	4.07	62	14,543	2.96	102	5,570	1.79	142	2,392	0.97
23	42,318	4.04	63	14,176	2.93	103	5,446	1.76	143	2,345	0.95
24	41,099	4.02	64	13,820	2.90	104	5,326	1.74	144	2,299	0.93
25	39,919	4.00	65	13,473	2.87	105	5,208	1.71	145	2,254	0.92
26	38,777	3.97	66	13,136	2.84	106	5,094	1.69	146	2,210	0.90
27	37,671	3.95	67	12,809	2.81	107	4,982	1.66	147	2,167	0.89
28	36,601	3.93	68	12,491	2.78	108	4,873	1.64	148	2,125	0.88
29	35,565	3.90	69	12,182	2.75	109	4,767	1.61	149	2,084	0.86
30	34,561	3.88	70	11,882	2.72	110	4,664	1.59	150	2,044	0.85
31	33,590	3.85	71	11,589	2.68	111	4,563	1.57	151	2,005	0.84
32	32,648	3.83	72	11,305	2.65	112	4,464	1.54	152	1,966	0.82
33	31,737	3.80	73	11,029	2.62	113	4,368	1.52	153	1,929	0.81
34	30,853	3.78	74	10,761	2.59	114	4,274	1.50	154	1,892	0.80
35	29,998	3.75	75	10,500	2.56	115	4,183	1.47	155	1,856	0.78
36	29,169	3.72	76	10,246	2.53	116	4,094	1.45	156	1,821	0.77
37	28,365	3.70	77	9,999	2.50	117	4,007	1.43	157	1,787	0.76
38	27,587	3.67	78	9,758	2.47	118	3,922	1.41	158	1,753	0.75
39	26,832	3.64	79	9,525	2.44	119	3,839	1.39	159	1,720	0.73
40	26,100	3.61	80	9,297	2.41	120	3,758	1.37	160	1,688	0.72

Limited Warranty - Solar Controls

1/1/2001

This warranty statement is applicable to all solar control products manufactured by Goldline Controls, Inc., previously known as Independent Energy, Inc. (Goldline) **on or after November 1, 2001**. See the appropriate warranty statement for other Goldline products or for solar controls produced prior to November 1, 2001.

Solar Controls installed in USA or Canada:

Goldline warrants its solar control products installed within the USA or Canada to be free from defects in material or workmanship, under normal use and service for **five years** from date of the initial system installation, provided it is installed in accordance with the Goldline installation instructions and specifications provided with the product. If written proof of the date of the initial system installation is not provided to Goldline, the manufacturing datecode on the product will be the sole determinant of the date of the initial system installation.

If a product is defective, in workmanship or materials and is removed and returned freight prepaid within three (3) years after the date of the initial system installation, Goldline Controls will, at its option, either repair or replace the defective product and return it freight prepaid. If the defective product is returned freight prepaid to Goldline more than three (3) years but within five (5) years of the date of the initial system installation, Goldline, at its option, will either repair or replace the defective product and will charge sixty percent (60%) of the current list price for such repairs or replacements, plus shipping charges. The costs incurred in removal and/or reinstallation of the product are NOT covered under this warranty.

Solar Controls installed outside of the USA or Canada:

Goldline warrants its solar control products installed outside of the USA or Canada to be free from defects in material or workmanship, under normal use and service for **one year** from date of the initial system installation, provided it is installed in accordance with the Goldline installation instructions and specifications provided with the product. If written proof of the date of the initial system installation is not provided to Goldline, the manufacturing datecode on the product will be the sole determinant of the date of the initial system installation.

If a product is defective, in workmanship or materials and is removed and returned freight prepaid within one (1) year after the date of the initial system installation, Goldline will, at its option, either repair or replace the defective product and return it freight prepaid. The costs incurred in removal and/or reinstallation of the product are NOT covered under this warranty.

Warranty exclusions:

1. Material supplied or workmanship performed by others in the process of installation
2. Damage resulting from improper installation or control of loads exceeding the product rating.
3. Problems resulting from failure to operate the products in accordance with recommended instructions contained in product's owners manual.
4. Problems resulting from tampering, accident, abuse, negligence, unauthorized repairs or alterations, fire, flood, lightning, freezing, external water, war, or acts of God.

THE EXPRESS LIMITED WARRANTY ABOVE CONSTITUTES THE ENTIRE WARRANTY OF GOLDLINE CONTROLS, INC. WITH RESPECT TO ITS SOLAR CONTROL PRODUCTS AND IS IN LIEU OF ALL OTHER WARRANTIES, EXPRESSED OR IMPLIED, INCLUDING WARRANTIES OF MERCHANTABILITY OR FITNESS FOR A PARTICULAR PURPOSE. IN NO EVENT SHALL GOLDLINE CONTROLS, INC. BE RESPONSIBLE FOR ANY CONSEQUENTIAL, SPECIAL OR INCIDENTAL DAMAGES OF ANY NATURE WHATSOEVER.

NO WHOLESALE, AGENT, DEALER, CONTRACTOR, OR OTHER PERSON IS AUTHORIZED TO GIVE ANY WARRANTY ON BEHALF OF GOLDLINE CONTROLS, INC. THIS WARRANTY IS VOID IF THE PRODUCT HAS BEEN ALTERED IN ANY WAY AFTER LEAVING THE FACTORY.