

Sand Filter

Filtration Systems that are reliable and easy to operate on aboveground pools

DONGCHUAN

FLUIDRA



INGEBOMBA

Diameters 300 & 400 mm

SAMOA FILTER

This filtration systems are the ideal solution for above ground pools. Easy to assembly and operate, reliable.

The filter range features a one-piece blow molded body with no joints. It is made of HDPE plastic that is weather and chemical resistant. The filter assembled on a plastic base with all the necessary accessories.

- It is available on 300mm/12" and 400mm/16" filter tanks.
- An aesthetic 1,25" - 5 way multiport top mount valve is included. The design of the valve makes it reliable on all the working conditions.
- Max working pressure: 150Kpa;
- Testing standard: NSF stand 50

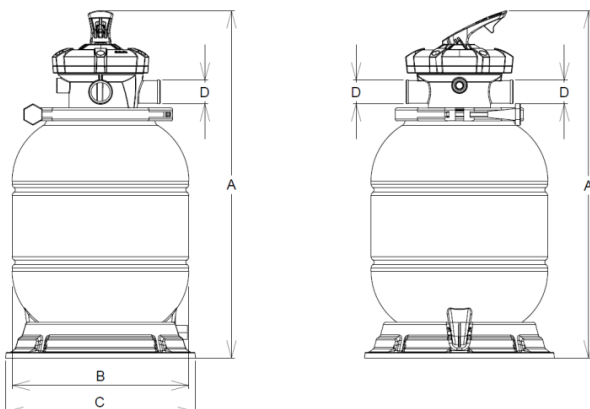


WWW.INGEBOMBA.CL

AV. GRECIA Nº 816 - LOCAL 1 - ÑUÑO A - SANTIAGO

FONOS 2-22378933 2-22399559

MAIL: PROYECTOS@INGEBOMBA.CL



Dimensions & Specifications

Code		T7110-000	T7120-000
Filter Dia.	mm	300	400
MPV		5ways / 1,25"	5ways / 1,25"
A	mm	590	693
B	mm	300	400
C	mm	322	322
D	mm	38	38
Sand Filling	Kg	20	40
Grain Size	mm	0,4-0,8	0,4-0,8
Max working pressure	KPa	150	150
Test pressure	KPa	250	250
Suggestion for pump potency	W	80~125	125~250

▪We reserve the right to change all or part of the features of the articles or contents of this document, without prior notice.

www.fluidra.com

Ningbo Dongchuan Swimming Pool Equipment Co.,Ltd.

No.32 Dongbei Road,Dongqiao Industrial Park,Yinzhou District,Ningbo,China

DONGCHUAN - SAMOA - 20110114

Sand Filter

Filtration Systems that are reliable and easy to operate on aboveground pools

DONGCHUAN

FLUIDRA



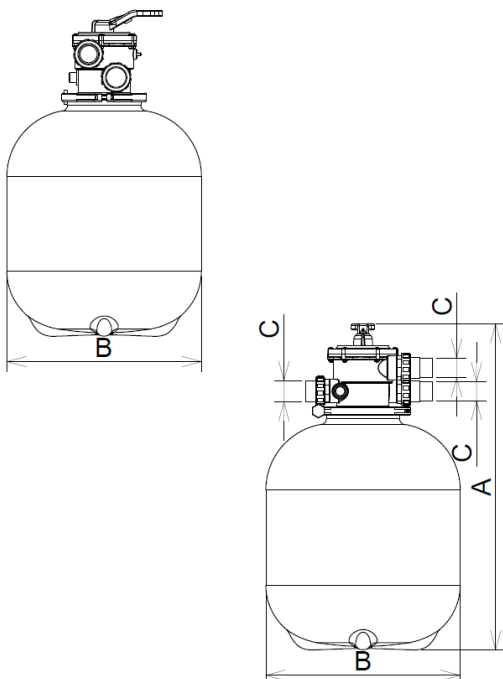
INGEBOMBA

Diameters 500 & 600 mm

This filtration systems are the ideal solution for above ground pools. Easy to assembly and operate, reliable.

The filter range features a one-piece blow molded body with no joints. It is made of HDPE plastic that is weather and chemical resistant. The filter assembled with all the necessary accessories.

- It is available on 500mm/20" and 600mm/24" filter tanks.
- An aesthetic 1,25" - 5 way or 1.5"-6 way multiport top mount valve is included. The design of the valve makes it reliable on all the working conditions.
- Max working pressure: 250Kpa;
- Testing standard: NSF stand 50



Dimensions & Specifications

Code		T9680-000	T9690-000
Filter Dia.	mm	500	600
MPV		5ways -1,25"/ 6ways -1,5"	5ways -1,25"/ 6ways -1,5"
A	mm	825	945
B	mm	500	600
C	mm	50	50
Sand Filling	Kg	80	150
Grain Size	mm	0,4-0,8	0,4-0,8
Max working pressure	KPa	250	250

▪We reserve the right to change all or part of the features of the articles or contents of this document, without prior notice.