

h hidrotermal[®]

PVC SPA Skimmer

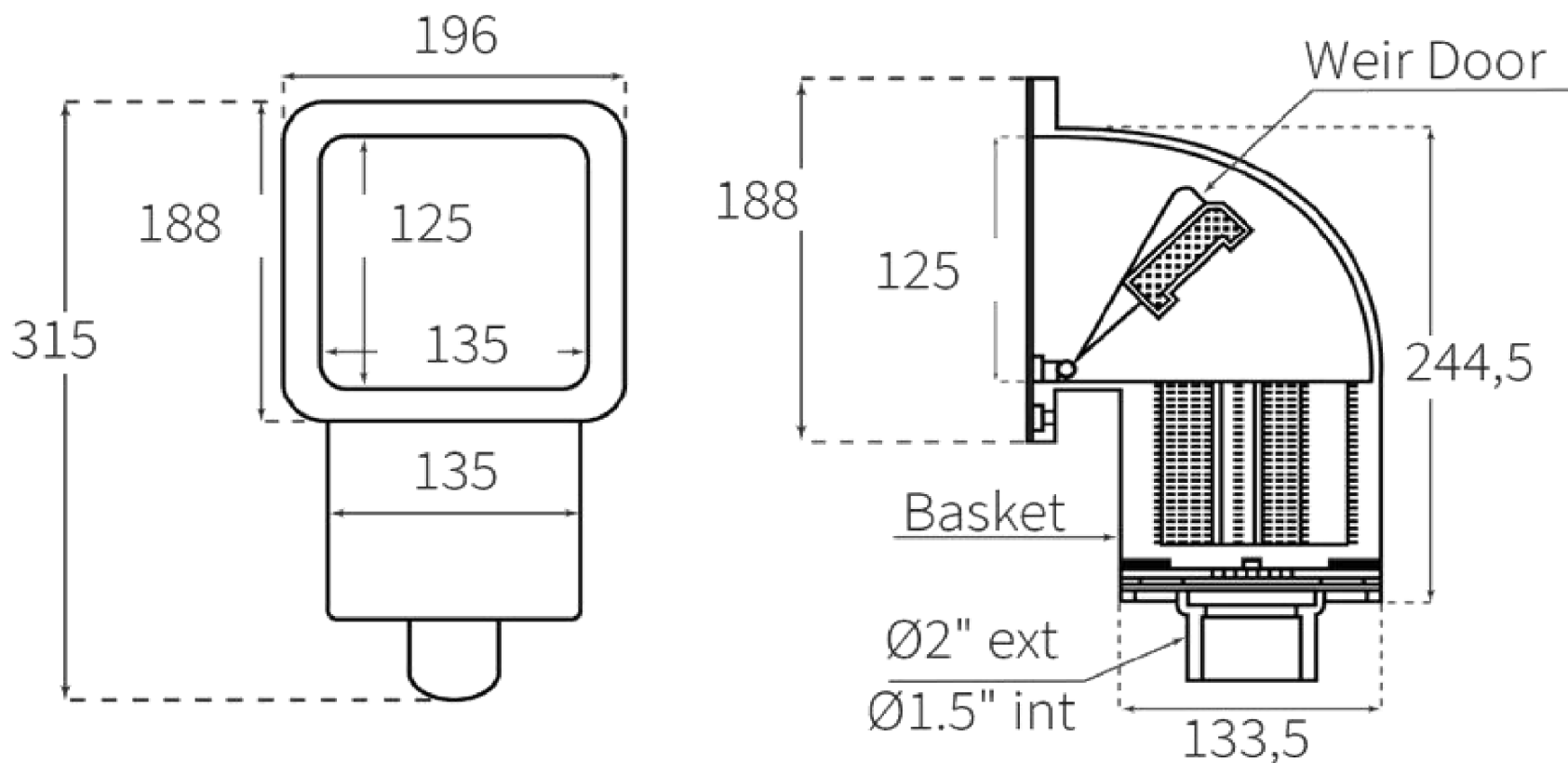
PF-009



USER MANUAL

1. Skimmer Parameters

Model	Description
PF-009	PVC SPA Skimmer



*Sizes are in mm

Figure 1

2. Function

Skimmers are used to eliminate the dirtiness suspended on the surface of the pool. For this reason, when building the pool, it is recommended to install the skimmers so that their mouths facing the prevailing winds.

3. Installation

First, When install the skimmer faceplate you must be absolutely certain that each screw is compression tight. Compression tight means tight enough that the flange squishes together hard enough that no water can leak by. If any of the screws in your skimmer faceplate will not tighten all the way or are spinning in holes then you will need to repair this in order to prevent a leak in this location.

In addition, make sure skimmer connection ports on the bottom connect to pool plumbing lines. These connections are about as tricky as they come in terms of pool plumbing connections as you will mostly be doing it blind and the height of the skimmer must be perfect to line up with the correct orientation on the pool wall. The skimmer is what sets the water level of your pool so having it sit too high or too low is a problem.

4. Warning

The skimmer should be installed by a specialist technician.

Do not place chlorine or bromide tablets in the skimmer basket.

It is recommended to use products specifically designed to work with PVC.

