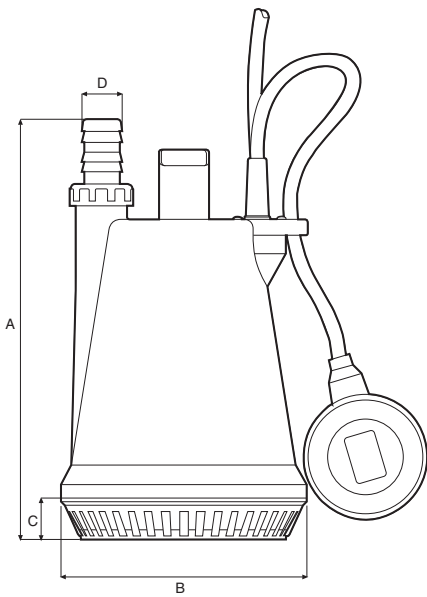
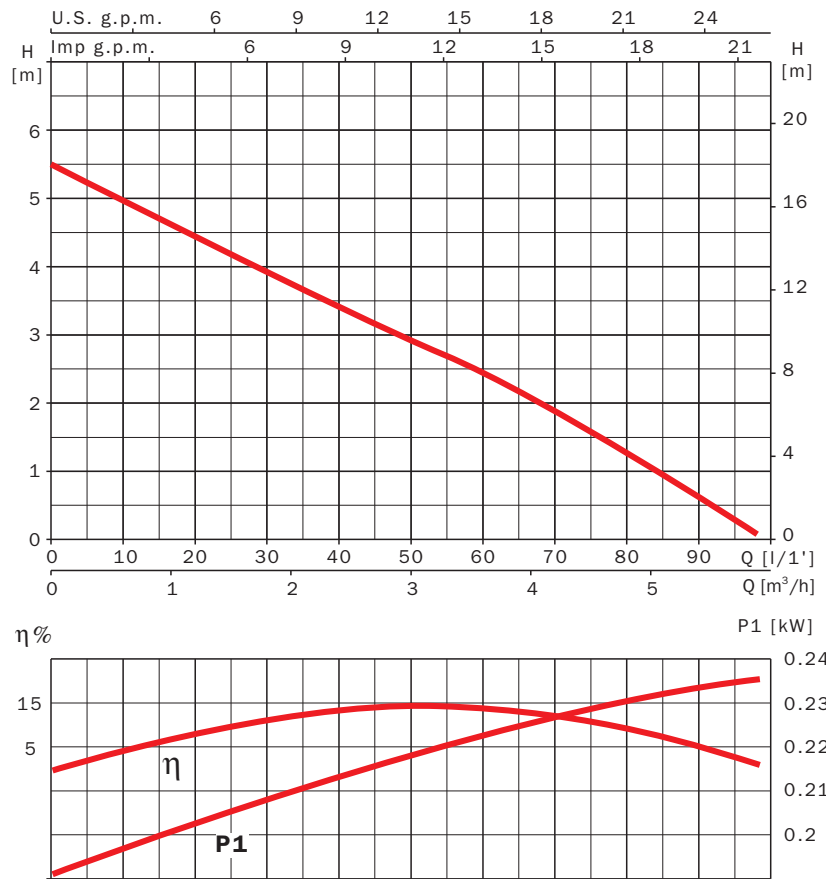


Vigila 100



	A	B	C	D	Kg
Vigila 100 A	272	159	26.5	1"/25	3.8

Curvas de funcionamiento a 2900 r.p.m.
Performance curves at 2900 r.p.m.



230 V 50 Hz	230/400 V 50 Hz	A			P1 (kW)		kW	HP	μF	l/min m³/h	10 0.6	20 1.2	30 1.8	40 2.4	50 3.0	60 3.6	80 4.8	95 5.7
		1~ 230 V	3~ 230 V 400 V		1~	3~												
Vigila 100M A		1.04			0.23		0.11	0.15	6		5	4.3	3.7	3.4	3.0	2.5	1.2	0.3