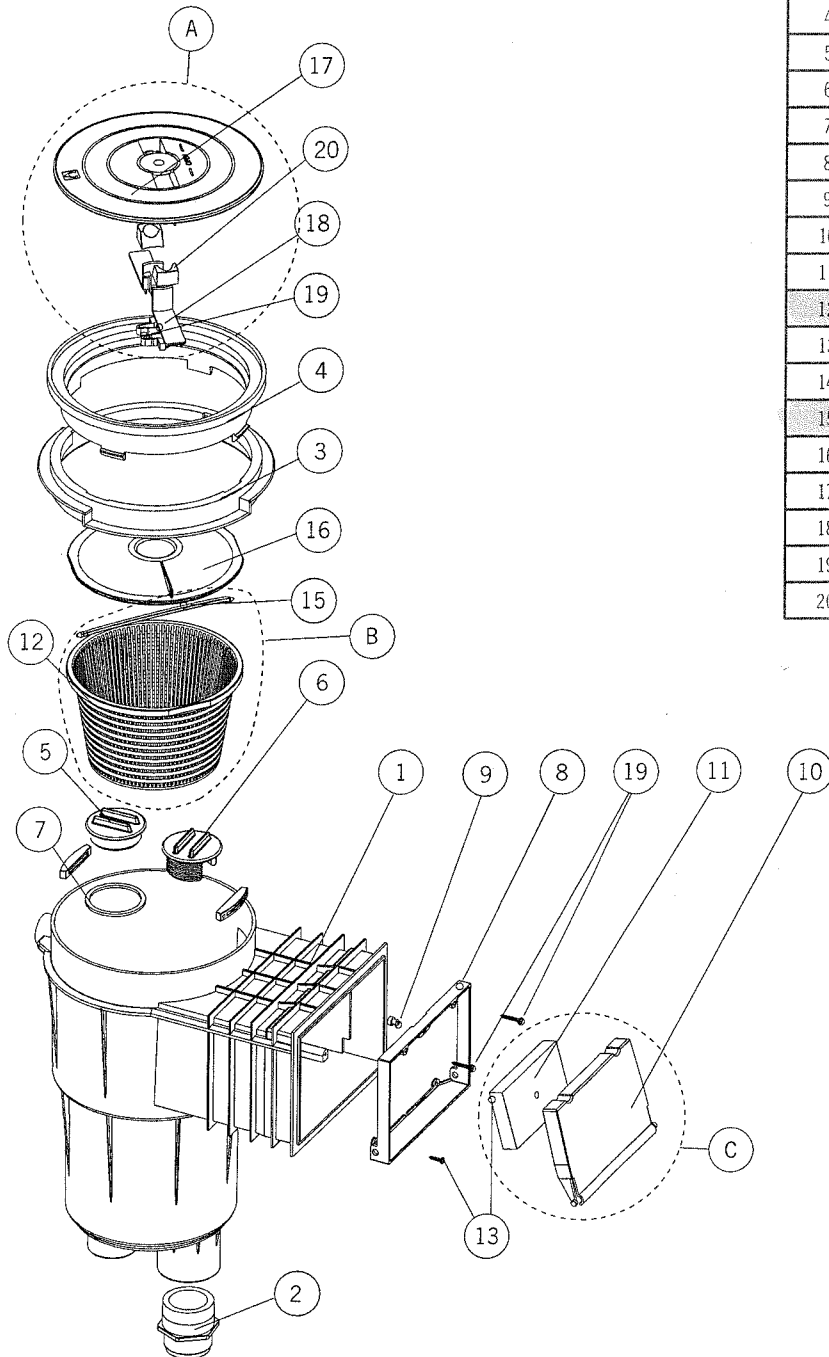


In-Ground Concrete Skimmer



Deluxe Code: 07563 & 17110



ITEM	PART NO.	DESCRIPTION	QUAN.
A	05280R0300	LID KIT	1
B	05280R0400	BASKET KIT	1
C	05280R0200	WEIR KIT	1
1	06597R0101	BODY	1
2	07455R0101	CONNECTION FITTING	1
3	05280R0001	DECK COLLAR	1
4	05280R0002	LID COLLAR	1
5	05280R0005	PLUG 2"	1
6	05280R0004	REGULATION PLUG	1
7	05280R0007	FLAT GASKET	1
8	05280R0102	WEIR SUPPORT	1
9	05280R0105	WEIR BUMPER PAD	1
10	05280R0201	FLAT WEIR	1
11	05280R0203	WEIR FLOAT	1
12	05280R0401	BASKET	1
13	70114R39016	SCREW A2 3.9X16	2
14	70114R39025	SCREW A2 3.9X25	2
15	05280R0402	HANDLE FOR BASKET	1
16	05280R0003	VACCUM PLATE	1
17	05280R0301	LOCK DOWN LID	1
18	05280R0302	LID LOCK TABS	2
19	05280R0304	DECK LID LOCKING SPRING	1
20	05280R0303	SUPPORT, LOCKTAB	2